

P-Cap Panel Mount LCD Front side IP65



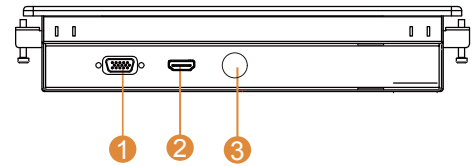
10.4" P-Cap LCD

Specifications



Model Name	R10L100-PPT2HB
Panel Size	10.4"
Active Display Area(mm)	210.4(H)x157.8(V)
Resolution	1024x768
Brightness(cd/m2)	1000 (Typical)
Contrast Ratio	1000:1 (Typical)
Viewing Angles(CR>=10)	-88~88(H) ; -88~88(V)
Display Colors	16.2M (6 bits/color)
Standard Input Signal	1 x VGA (D-sub 15) 1 x HDMI (Type-A)
Touch Screen	Projected Capacitive
Touch Interface	USB
Audio / Speakers (Optional)*	Audio line in (3.5mm) + Speaker x2
OSD	5 Keys: -, +, Power, Esc, Enter
Power Input	12V DC input (2.5ψ) with external AC-DC Adapter (100V~240V)
Power Consumption	12W typical, Normal operation
Operating temperature	0~50°C
Storage Temperature	-10~60 °C
Accessories	Power AC-DC Adapter(100V~240V) VGA cable (1.8m) HDMI cable (2m)

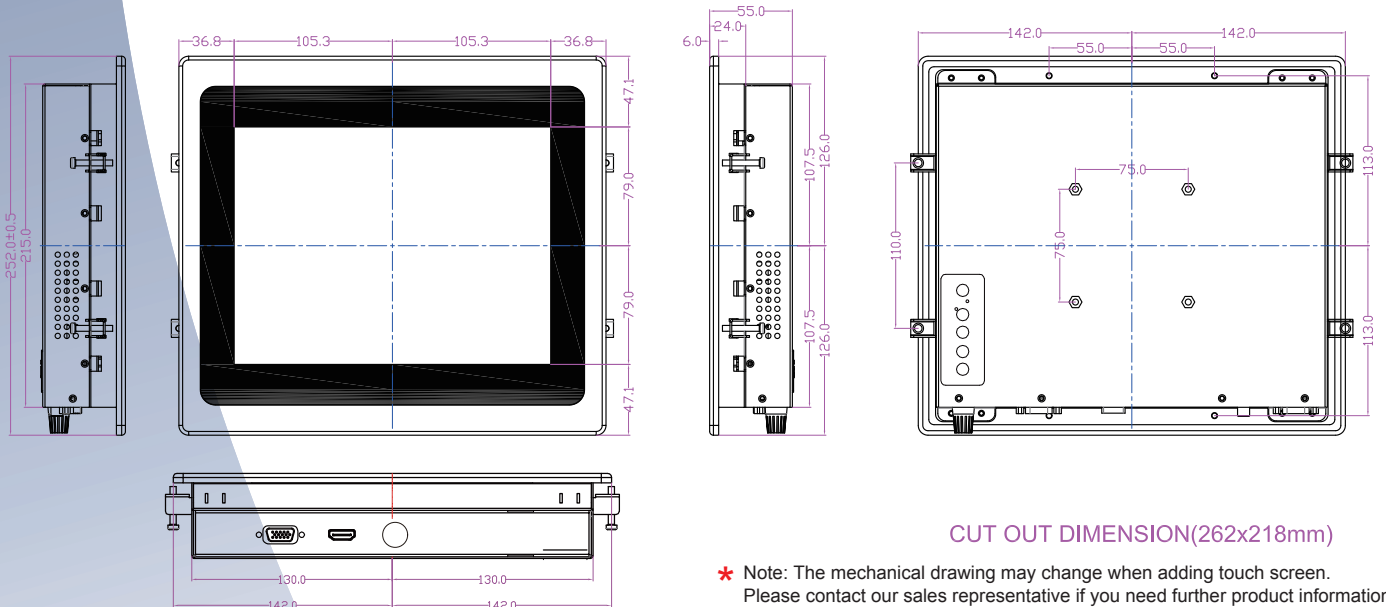
*Outside dimension and I/O will be different from standard



I/O Optional

Optional 1*	1 x VGA (D-sub 15) 1 x HDMI (Type-A) 1 x DVI-D
Optional 2*	1 x VGA (D-sub 15) 1 x DVI-D 1 x S-Video 1 x Composite

Mechanical Drawing



CUT OUT DIMENSION(262x218mm)

* Note: The mechanical drawing may change when adding touch screen.
Please contact our sales representative if you need further product information.